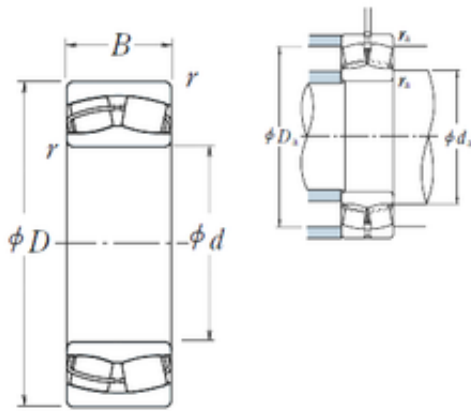




China Lm8uu Bearing Supplier



23122CE4 NSK Spherical Roller Bearing

Bearing No. 23122CE4

Size	110x180x56 mm
Bore Diameter	110 mm
Outer Diameter	180 mm
Width	56 mm
d	110 mm
D	180 mm
B	56 mm
C	56 mm
r min.	2 mm
da min.	120 mm
da max	127 mm
Da min	158 mm
Da max.	170 mm
ra max.	2 mm
Weight	5,7 Kg
Basic dynamic load rating (C)	385 kN
Basic static load rating (C0)	630 kN
(Grease) Lubrication Speed	1600 r/min
(Oil) Lubrication Speed	2000 r/min
Calculation factor (e)	0,28
Calculation factor (Y0)	2,3
Calculation factor (Y2)	3,5
Category	Roller Bearings
Inventory	0.0
Manufacturer Name	NSK
Minimum Buy Quantity	N/A

23122CE4 Bearing 2D drawings and 3D CAD models



China Lm8uu Bearing Supplier

Weight / Kilogram	5.7
Product Group	B04311
Y3	2.4
hidYobi	23122CE4
LangID	1
Y1	2.4
D_	180
Y2	3.5
Macha rpm	0
B_	56
da min	120
hidTable	ecat_NSSPHR
Oil rpm	2000
Y0	2.3
mass	5.7
GRS rpm	1600
ra	2
TSR rpm	3200
C0	630
DE_	163.087
X0	1
Prod_Type3	SRB_CTB_CB
X1	1
X2	0.67
SIR	21.5
e	0.28
DA_	16.5
bomp	23122CE4
Z_	24
ALP2	45
ALP1	10
ALP3	0



China Lm8uu Bearing Supplier

D_a max	170
D_a min	158
yobi	23122CE4
ALPHA_	0.188
SDM_	146.876
r	2
KBRG	2322
SBRG	31
DI_	130.666