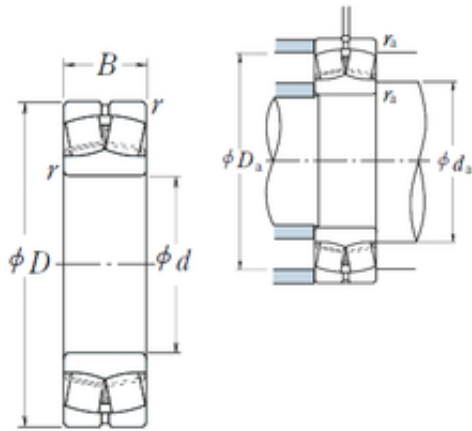




## China Lm8uu Bearing Supplier



### 22324EAE4 NSK Spherical Roller Bearing

Bearing No. 22324EAE4

Size	120x260x86 mm
Bore Diameter	120 mm
Outer Diameter	260 mm
Width	86 mm
d	120 mm
D	260 mm
B	86 mm
C	86 mm
r min.	3 mm
da min.	134 mm
da max	157 mm
Da min	222 mm
Da max.	246 mm
ra max.	2,5 mm
Weight	22,2 Kg
Basic dynamic load rating (C)	955 kN
Basic static load rating (C0)	1320 kN
(Grease) Lubrication Speed	1600 r/min
(Oil) Lubrication Speed	2000 r/min
Calculation factor (e)	0,32
Calculation factor (Y0)	2
Calculation factor (Y2)	3,1
Category	Spherical Roller Bearings
Inventory	0.0
Manufacturer Name	NSK
Minimum Buy Quantity	N/A

22324EAE4 Bearing 2D drawings and 3D CAD models



## China Lm8uu Bearing Supplier

Weight / Kilogram	22.4
Product Group	B04311
Internal Clearance	C0-Medium
Mounting Method	Shaft Mount
Rolling Element	Spherical Roller Bearing
Bore Profile	Straight
Cage Material	Steel
Enclosure	Open
Number of Rows of Rollers	Double Row
Relubricatable	Yes
Withdrawal Sleeve	Not Applicable
Inch - Metric	Metric
Long Description	120MM Straight Bore; 260MM Outside Diameter; 86MM Width; C0-Medium Clearance; Shaft Mount; Double Row of Spherical Roller Bearings; Steel Cage Material; Open Enclosure; Relubricatable
Category	Spherical Roller Bearing
UNSPSC	31171510
Harmonized Tariff Code	84823080
Noun	Bearing
Keyword String	Spherical
Manufacturer URL	<a href="http://www.nskamericas.com">http://www.nskamericas.com</a>
Manufacturer Item Number	22324EAE4
Weight / LBS	23.4
Width	3.386 Inch   86 Millimeter
Outside Diameter	10.236 Inch   260 Millimeter
Bore	4.724 Inch   120 Millimeter
Adapter Part Number	Not Applicable Inch   Not Applicable Millimeter
bore diameter:	120 mm



## China Lm8uu Bearing Supplier

maximum rpm:	2200 RPM
outside diameter:	260 mm
operating temperature range:	Maximum of +200 ° C
overall width:	4.3800 in
cage material:	Steel
bore type:	Straight
bearing material:	Steel
outer ring type:	Not Split
cage type:	Roller Guided
internal clearance:	C0
precision rating:	RBEC 1 (ISO Class Normal)
closure type:	Open
finish/coating:	Uncoated
lubrication hole type:	Lubrication Groove & Hole
outer ring width:	86 mm
dynamic load capacity:	1190000 N
fillet radius:	3 mm
static load capacity:	1320000 N
series:	223