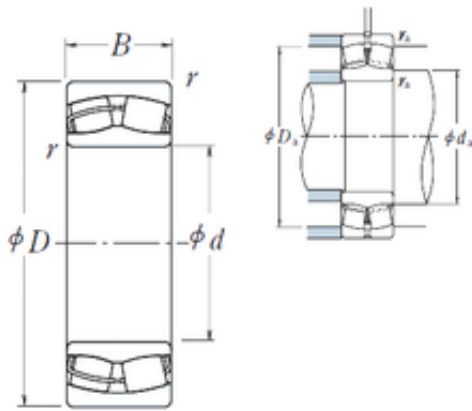




China Lm8uu Bearing Supplier



23026CDE4 Bearing 2D drawings and 3D CAD models

23026CDE4 NSK Spherical Roller Bearing

Bearing No. 23026CDE4

Size	130x200x52 mm
Bore Diameter	130 mm
Outer Diameter	200 mm
Width	52 mm
d	130 mm
D	200 mm
B	52 mm
C	52 mm
r min.	2 mm
da min.	140 mm
da max	147 mm
Da min	180 mm
Da max.	190 mm
ra max.	2 mm
Weight	5,98 Kg
Basic dynamic load rating (C)	400 kN
Basic static load rating (C0)	655 kN
(Grease) Lubrication Speed	1700 r/min
(Oil) Lubrication Speed	2000 r/min
Calculation factor (e)	0,23
Calculation factor (Y0)	2,8
Calculation factor (Y2)	4,3
Category	Spherical Roller Bearings
Inventory	0.0
Manufacturer Name	NSK
Minimum Buy Quantity	N/A



China Lm8uu Bearing Supplier

Weight / Kilogram	5.9
Product Group	B04311
Internal Clearance	C0-Medium
Mounting Method	Shaft Mount
Rolling Element	Spherical Roller Bearing
Bore Profile	Straight
Cage Material	Steel
Enclosure	Open
Number of Rows of Rollers	Double Row
Relubricatable	Yes
Withdrawal Sleeve	Not Applicable
Inch - Metric	Metric
Long Description	130MM Straight Bore; 200MM Outside Diameter; 52MM Width; C0-Medium Clearance; Shaft Mount; Double Row of Spherical Roller Bearings; Steel Cage Material; Open Enclosure; Relubricatable
Category	Spherical Roller Bearing
UNSPSC	31171510
Harmonized Tariff Code	84823080
Noun	Bearing
Keyword String	Spherical
Manufacturer URL	http://www.nskamericas.com
Manufacturer Item Number	23026CDE4
Weight / LBS	5.5
Adapter Part Number	Not Applicable Inch Not Applicable Millimeter
Bore	5.118 Inch 130 Millimeter
Outside Diameter	7.874 Inch 200 Millimeter
Width	2.047 Inch 52 Millimeter
Y3	2.9



China Lm8uu Bearing Supplier

hidYobi	23026CDE4
LangID	1
Y1	2.9
D_	200
Y2	4.3
Macha rpm	0
B_	52
da min	140
hidTable	ecat_NSSPHR
Oil rpm	2000
Y0	2.8
mass	5.98
GRS rpm	1700
ra	2
TSR rpm	3000
C0	655
DE_	183.794
X0	1
Prod_Type3	SRB_CTB_CB
X1	1
X2	0.67
SIR	20.5
e	0.23
DA_	17.5
bomp	23026CDE4
Z_	25
ALP2	50
ALP1	8
ALP3	0
D_a max	190
D_a min	180
yobi	23026CDE4



China Lm8uu Bearing Supplier

ALPHA_	0.154
SDM_	166.501
r	2
KBRG	2321
SBRG	30
DI_	149.209