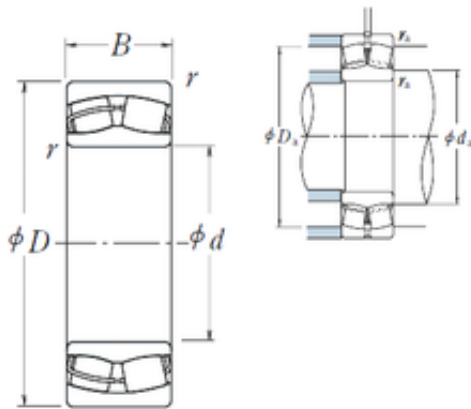




## China Lm8uu Bearing Supplier



### 23030CDE4 NSK Spherical Roller Bearing

Bearing No. 23030CDE4

|                               |                           |
|-------------------------------|---------------------------|
| Size                          | 150x225x56 mm             |
| Bore Diameter                 | 150 mm                    |
| Outer Diameter                | 225 mm                    |
| Width                         | 56 mm                     |
| d                             | 150 mm                    |
| D                             | 225 mm                    |
| B                             | 56 mm                     |
| C                             | 56 mm                     |
| r min.                        | 2,1 mm                    |
| da min.                       | 162 mm                    |
| da max                        | 168 mm                    |
| Da min                        | 203 mm                    |
| Da max.                       | 213 mm                    |
| ra max.                       | 2 mm                      |
| Weight                        | 7,9 Kg                    |
| Basic dynamic load rating (C) | 470 kN                    |
| Basic static load rating (C0) | 815 kN                    |
| (Grease) Lubrication Speed    | 1400 r/min                |
| (Oil) Lubrication Speed       | 1800 r/min                |
| Calculation factor (e)        | 0,22                      |
| Calculation factor (Y0)       | 3                         |
| Calculation factor (Y2)       | 4,6                       |
| Category                      | Spherical Roller Bearings |
| Inventory                     | 0.0                       |
| Manufacturer Name             | NSK                       |
| Minimum Buy Quantity          | N/A                       |

23030CDE4 Bearing 2D drawings and 3D CAD models



## China Lm8uu Bearing Supplier

|                           |  |
|---------------------------|--|
| Weight / Kilogram         | 7.81   |
| Product Group             | B04311   |
| Internal Clearance        | C0-Medium  |
| Mounting Method           | Shaft Mount  |
| Rolling Element           | Spherical Roller Bearing   |
| Bore Profile              | Straight   |
| Cage Material             | Steel  |
| Enclosure                 | Open   |
| Number of Rows of Rollers | Double Row   |
| Relubricatable            | Yes  |
| Withdrawal Sleeve         | Not Applicable   |
| Inch - Metric             | Metric   |
| Long Description          | 150MM Straight Bore;<br>225MM Outside Diameter;<br>56MM Width; C0-Medium<br>Clearance; Shaft Mount;<br>Double Row of Spherical<br>Roller Bearings; Steel Cage<br>Material; Open Enclosure;<br>Relubricatable |
| Category                  | Spherical Roller Bearing   |
| UNSPSC                    | 31171510   |
| Harmonized Tariff Code    | 84823080   |
| Noun                      | Bearing  |
| Keyword String            | Spherical  |
| Manufacturer URL          | <a href="http://www.nskamericas.com">http://www.nskamericas.com</a>  |
| Manufacturer Item Number  | 23030CDE4  |
| Weight / LBS              | 7.81   |
| Outside Diameter          | 8.858 Inch   225 Millimeter  |
| Width                     | 2.205 Inch   56 Millimeter   |
| Bore                      | 5.906 Inch   150 Millimeter  |
| Adapter Part Number       | Not Applicable Inch   Not<br>Applicable Millimeter   |
| bore diameter:            | 150 mm   |



## China Lm8uu Bearing Supplier

|                        |                                     |
|------------------------|-------------------------------------|
| internal clearance:    | C0                                  |
| outside diameter:      | 225 mm                              |
| closure type:          | Open                                |
| overall width:         | 56 mm                               |
| lubrication hole type: | Oil Grooves And Holes In Outer Ring |
| bore type:             | Straight                            |
| cage material:         | Polyamide                           |
| outer ring type:       | Not Split                           |
| Y3                     | 3.1                                 |
| hidYobi                | 23030CDE4                           |
| LangID                 | 1                                   |
| Y1                     | 3.1                                 |
| D_                     | 225                                 |
| Y2                     | 4.6                                 |
| Macha rpm              | 0                                   |
| B_                     | 56                                  |
| da min                 | 162                                 |
| hidTable               | ecat_NSSPHR                         |
| Oil rpm                | 1800                                |
| Y0                     | 3                                   |
| mass                   | 7.9                                 |
| GRS rpm                | 1400                                |
| ra                     | 2                                   |
| TSR rpm                | 2600                                |
| C0                     | 815                                 |
| DE_                    | 207.783                             |
| X0                     | 1                                   |
| Prod_Type3             | SRB_CTB_CB                          |
| X1                     | 1                                   |
| X2                     | 0.67                                |
| SIR                    | 22                                  |
| e                      | 0.22                                |



## China Lm8uu Bearing Supplier

|         |           |
|---------|-----------|
| DA_     | 18.5      |
| bomp    | 23030CDE4 |
| Z_      | 27        |
| ALP2    | 20        |
| ALP1    | 8         |
| ALP3    | 0         |
| D_a max | 213       |
| D_a min | 203       |
| yobi    | 23030CDE4 |
| ALPHA_  | 0.145     |
| SDM_    | 189.478   |
| r       | 2.1       |
| KBRG    | 2321      |
| SBRG    | 30        |
| DI_     | 171.173   |