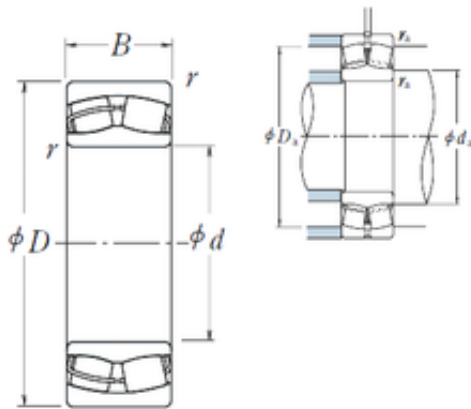




## China Lm8uu Bearing Supplier



### 22232CDE4 NSK Spherical Roller Bearing

Bearing No. 22232CDE4

22232CDE4 Bearing 2D drawings and 3D CAD models

Size	160x290x80 mm
Bore Diameter	160 mm
Outer Diameter	290 mm
Width	80 mm
d	160 mm
D	290 mm
B	80 mm
C	80 mm
r min.	3 mm
da min.	174 mm
da max	190 mm
Da min	255 mm
Da max.	276 mm
ra max.	2,5 mm
Weight	23,1 Kg
Basic dynamic load rating (C)	910 kN
Basic static load rating (C0)	1320 kN
(Grease) Lubrication Speed	1200 r/min
(Oil) Lubrication Speed	1500 r/min
Calculation factor (e)	0,26
Calculation factor (Y0)	2,5
Calculation factor (Y2)	3,8
Category	Spherical Roller Bearings
Inventory	0.0
Manufacturer Name	NSK
Minimum Buy Quantity	N/A



## China Lm8uu Bearing Supplier

Weight / Kilogram	23
Product Group	B04311
Internal Clearance	C0-Medium
Mounting Method	Shaft Mount
Rolling Element	Spherical Roller Bearing
Bore Profile	Straight
Cage Material	Steel
Enclosure	Open
Number of Rows of Rollers	Double Row
Relubricatable	Yes
Withdrawal Sleeve	Not Applicable
Inch - Metric	Metric
Long Description	160MM Straight Bore; 290MM Outside Diameter; 80MM Width; C0-Medium Clearance; Shaft Mount; Double Row of Spherical Roller Bearings; Steel Cage Material; Open Enclosure; Relubricatable
Category	Spherical Roller Bearing
UNSPSC	31171510
Harmonized Tariff Code	84823080
Noun	Bearing
Keyword String	Spherical
Manufacturer URL	<a href="http://www.nskamericas.com">http://www.nskamericas.com</a>
Manufacturer Item Number	22232CDE4
Weight / LBS	23
Bore	6.299 Inch   160 Millimeter
Adapter Part Number	Not Applicable Inch   Not Applicable Millimeter
Outside Diameter	11.417 Inch   290 Millimeter
Width	3.15 Inch   80 Millimeter
bore diameter:	160 mm



## China Lm8uu Bearing Supplier

maximum rpm:	1500 RPM
outside diameter:	290 mm
operating temperature range:	Maximum of +200 ° C
overall width:	80 mm
cage material:	Steel
bore type:	Straight
bearing material:	Steel
outer ring type:	Not Split
cage type:	Inner Ring Guided
internal clearance:	C0
precision rating:	RBEC 1 (ISO Class Normal)
closure type:	Open
finish/coating:	Uncoated
lubrication hole type:	Lubrication Groove & Hole
outer ring width:	80 mm
dynamic load capacity:	910000 N
fillet radius:	3 mm
static load capacity:	1320000 N
series:	222
Y3	2.6
hidYobi	22232CDE4
LangID	1
Y1	2.6
D_	290
Y2	3.8
Macha rpm	0
B_	80
da min	174
hidTable	ecat_NSSPHR
Oil rpm	1500
Y0	2.5



## China Lm8uu Bearing Supplier

mass	23.1
GRS rpm	1200
ra	2.5
TSR rpm	2200
C0	1320
DE_	261.959
X0	1
Prod_Type3	SRB_CTB_CB
X1	1
X2	0.67
SIR	31
e	0.26
DA_	34
bomp	22232CDE4
Z_	18
ALP2	0
ALP1	10
ALP3	0
D_a max	276
D_a min	255
yobi	22232CDE4
ALPHA_	0.175
SDM_	228.475
r	3
KBRG	2321
SBRG	22
DI_	194.992