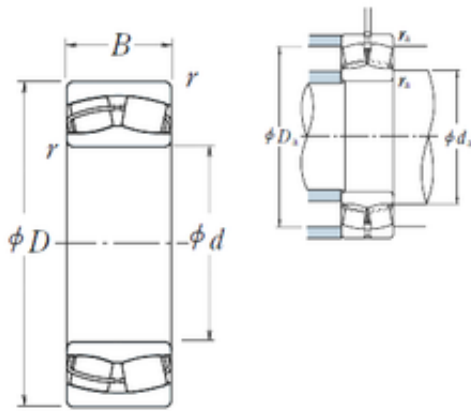




## China Lm8uu Bearing Supplier



23138CE4 Bearing 2D drawings and 3D CAD models

### 23138CE4 NSK Spherical Roller Bearing

Bearing No. 23138CE4

Size	190x320x104 mm
Bore Diameter	190 mm
Outer Diameter	320 mm
Width	104 mm
d	190 mm
D	320 mm
B	104 mm
C	104 mm
r min.	3 mm
da min.	204 mm
da max	219 mm
Da min	276 mm
Da max.	306 mm
ra max.	2,5 mm
Weight	34,5 Kg
Basic dynamic load rating (C)	1190 kN
Basic static load rating (C0)	2020 kN
(Grease) Lubrication Speed	850 r/min
(Oil) Lubrication Speed	1100 r/min
Calculation factor (e)	0,31
Calculation factor (Y0)	2,2
Calculation factor (Y2)	3,3
Category	Spherical Roller Bearings
Inventory	0.0
Manufacturer Name	NSK
Minimum Buy Quantity	N/A



## China Lm8uu Bearing Supplier

Weight / Kilogram	34.98
Product Group	B04311
Internal Clearance	C0-Medium
Mounting Method	Shaft Mount
Rolling Element	Spherical Roller Bearing
Bore Profile	Straight
Cage Material	Steel
Enclosure	Open
Number of Rows of Rollers	Double Row
Relubricatable	Yes
Withdrawal Sleeve	Not Applicable
Inch - Metric	Metric
Long Description	190MM Straight Bore; 320MM Outside Diameter; 104MM Width; C0-Medium Clearance; Shaft Mount; Double Row of Spherical Roller Bearings; Steel Cage Material; Open Enclosure; Relubricatable
Category	Spherical Roller Bearing
UNSPSC	31171510
Harmonized Tariff Code	84823080
Noun	Bearing
Keyword String	Spherical
Manufacturer URL	<a href="http://www.nskamericas.com">http://www.nskamericas.com</a>
Manufacturer Item Number	23138CE4
Weight / LBS	34.98
Bore	7.48 Inch   190 Millimeter
Outside Diameter	12.598 Inch   320 Millimeter
Adapter Part Number	Not Applicable Inch   Not Applicable Millimeter
Width	4.094 Inch   104 Millimeter
bore diameter:	190 mm



## China Lm8uu Bearing Supplier

outer ring type:	Not Split
outside diameter:	320 mm
internal clearance:	C0
overall width:	104 mm
lubrication hole type:	Oil Grooves And Holes In Outer Ring
bore type:	Straight
cage material:	Bronze
Y3	2.2
hidYobi	23138CE4
LangID	1
Y1	2.2
D_	320
Y2	3.3
Macha rpm	0
B_	104
da min	204
hidTable	ecat_NSSPHR
Oil rpm	1100
Y0	2.2
mass	34.5
GRS rpm	850
ra	2.5
TSR rpm	1600
C0	2020
DE_	287.118
X0	1
Prod_Type3	SRB_CTB_CB
X1	1
X2	0.67
SIR	42
e	0.31
DA_	31.5



## China Lm8uu Bearing Supplier

bomp	23138CE4
Z_	21
ALP2	30
ALP1	11
ALP3	0
D_a max	306
D_a min	276
yobi	23138CE4
ALPHA_	0.201
SDM_	256.25
r	3
KBRG	2322
SBRG	31
DI_	225.383