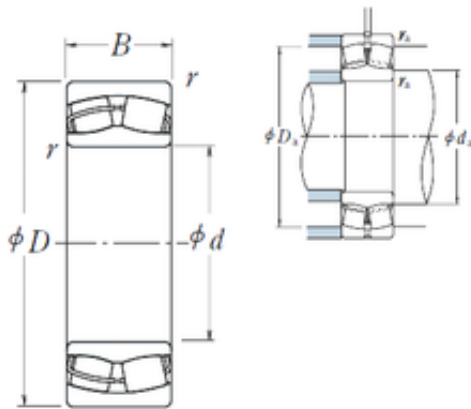




China Lm8uu Bearing Supplier



23240CE4 Bearing 2D drawings and 3D CAD models

23240CE4 NSK Spherical Roller Bearing

Bearing No. 23240CE4

Size	200x360x128 mm
Bore Diameter	200 mm
Outer Diameter	360 mm
Width	128 mm
d	200 mm
D	360 mm
B	128 mm
C	128 mm
r min.	4 mm
da min.	218 mm
da max	237 mm
Da min	307 mm
Da max.	342 mm
ra max.	3 mm
Weight	57,1 Kg
Basic dynamic load rating (C)	1660 kN
Basic static load rating (C0)	2750 kN
(Grease) Lubrication Speed	750 r/min
(Oil) Lubrication Speed	1000 r/min
Calculation factor (e)	0,34
Calculation factor (Y0)	1,9
Calculation factor (Y2)	2,9
Category	Spherical Roller Bearings
Inventory	0.0
Manufacturer Name	NSK
Minimum Buy Quantity	N/A



China Lm8uu Bearing Supplier

Weight / Kilogram	57.3
Product Group	B04311
Internal Clearance	C0-Medium
Mounting Method	Shaft Mount
Rolling Element	Spherical Roller Bearing
Bore Profile	Straight
Cage Material	Steel
Enclosure	Open
Number of Rows of Rollers	Double Row
Relubricatable	Yes
Withdrawal Sleeve	Not Applicable
Inch - Metric	Metric
Long Description	200MM Straight Bore; 360MM Outside Diameter; 128MM Width; C0-Medium Clearance; Shaft Mount; Double Row of Spherical Roller Bearings; Steel Cage Material; Open Enclosure; Relubricatable
Category	Spherical Roller Bearing
UNSPSC	31171510
Harmonized Tariff Code	84823080
Noun	Bearing
Keyword String	Spherical
Manufacturer URL	http://www.nskamericas.com
Manufacturer Item Number	23240CE4
Weight / LBS	57.3
Bore	7.874 Inch 200 Millimeter
Adapter Part Number	Not Applicable Inch Not Applicable Millimeter
Outside Diameter	14.173 Inch 360 Millimeter
Width	5.039 Inch 128 Millimeter
bore diameter:	200 mm



China Lm8uu Bearing Supplier

outer ring type:	Not Split
outside diameter:	360 mm
internal clearance:	C0
overall width:	128 mm
lubrication hole type:	Oil Grooves And Holes In Outer Ring
bore type:	Straight
cage material:	Bronze
Y3	2
hidYobi	23240CE4
LangID	1
Y1	2
D_	360
Y2	2.9
Macha rpm	0
B_	128
da min	218
hidTable	ecat_NSSPHR
Oil rpm	1000
Y0	1.9
mass	57.1
GRS rpm	750
ra	3
TSR rpm	1100
C0	2750
DE_	322.732
X0	1
Prod_Type3	SRB_CTB_CB
X1	1
X2	0.67
SIR	51.5
e	0.34
DA_	39.5



China Lm8uu Bearing Supplier

bomp	23240CE4
Z_	19
ALP2	50
ALP1	12
ALP3	0
D_a max	342
D_a min	307
yobi	23240CE4
ALPHA_	0.224
SDM_	284.218
r	4
KBRG	2322
SBRG	32
DI_	245.705