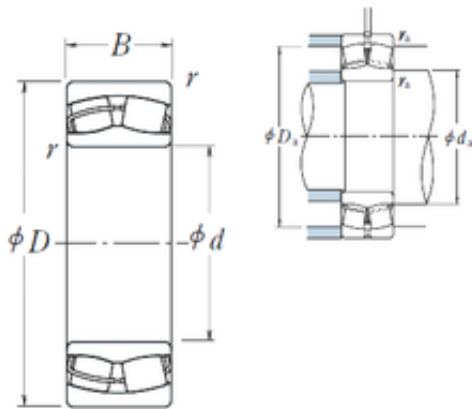




China Lm8uu Bearing Supplier



24144CE4 Bearing 2D drawings and 3D CAD models

24144CE4 NSK Spherical Roller Bearing

Bearing No. 24144CE4

Size	220x370x150 mm
Bore Diameter	220 mm
Outer Diameter	370 mm
Width	150 mm
d	220 mm
D	370 mm
B	150 mm
C	150 mm
r min.	4 mm
da min.	238 mm
da max	248 mm
Da min	313 mm
Da max.	352 mm
ra max.	3 mm
Weight	66,7 Kg
Basic dynamic load rating (C)	1800 kN
Basic static load rating (C0)	3200 kN
(Grease) Lubrication Speed	710 r/min
(Oil) Lubrication Speed	950 r/min
Calculation factor (e)	0,39
Calculation factor (Y0)	1,7
Calculation factor (Y2)	2,6
Category	Spherical Roller Bearings
Inventory	0.0
Manufacturer Name	NSK
Minimum Buy Quantity	N/A



China Lm8uu Bearing Supplier

Weight / Kilogram	64
Product Group	B04311
Internal Clearance	C0-Medium
Mounting Method	Shaft Mount
Rolling Element	Spherical Roller Bearing
Bore Profile	Straight
Cage Material	Steel
Enclosure	Open
Number of Rows of Rollers	Double Row
Relubricatable	Yes
Withdrawal Sleeve	Not Applicable
Inch - Metric	Metric
Long Description	220MM Straight Bore; 370MM Outside Diameter; 150MM Width; C0-Medium Clearance; Shaft Mount; Double Row of Spherical Roller Bearings; Steel Cage Material; Open Enclosure; Relubricatable
Category	Spherical Roller Bearing
UNSPSC	31171510
Harmonized Tariff Code	84823080
Noun	Bearing
Keyword String	Spherical
Manufacturer URL	http://www.nskamericas.com
Manufacturer Item Number	24144CE4
Weight / LBS	64
Bore	8.661 Inch 220 Millimeter
Width	5.906 Inch 150 Millimeter
Adapter Part Number	Not Applicable Inch Not Applicable Millimeter
Outside Diameter	14.567 Inch 370 Millimeter
Y3	1.7



China Lm8uu Bearing Supplier

hidYobi	24144CE4
LangID	1
Y1	1.7
D_	370
Y2	2.6
Macha rpm	0
B_	150
da min	238
hidTable	ecat_NSSPHR
Oil rpm	950
Y0	1.7
mass	66.7
GRS rpm	710
ra	3
TSR rpm	850
C0	3200
DE_	332.075
X0	1
Prod_Type3	SRB_CTB_CB
X1	1
X2	0.67
SIR	59
e	0.39
DA_	37.5
bomp	24144CE4
Z_	20
ALP2	30
ALP1	14
ALP3	0
D_a max	352
D_a min	313
yobi	24144CE4



China Lm8uu Bearing Supplier

ALPHA_	0.253
SDM_	295.769
r	4
KBRG	2322
SBRG	41
DI_	259.464