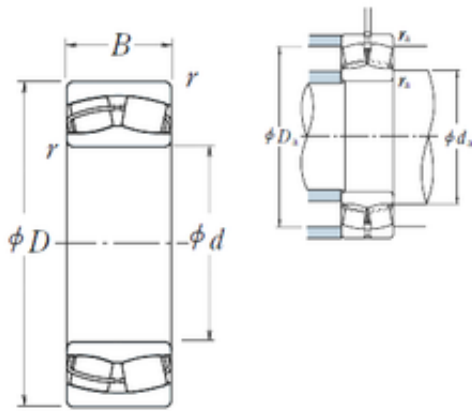




China Lm8uu Bearing Supplier



23244CE4 Bearing 2D drawings and 3D CAD models

23244CE4 NSK Spherical Roller Bearing

Bearing No. 23244CE4

Size	220x400x144 mm
Bore Diameter	220 mm
Outer Diameter	400 mm
Width	144 mm
d	220 mm
D	400 mm
B	144 mm
C	144 mm
r min.	4 mm
da min.	238 mm
da max	260 mm
Da min	337 mm
Da max.	382 mm
ra max.	3 mm
Weight	80,4 Kg
Basic dynamic load rating (C)	2020 kN
Basic static load rating (C0)	3400 kN
(Grease) Lubrication Speed	670 r/min
(Oil) Lubrication Speed	900 r/min
Calculation factor (e)	0,35
Calculation factor (Y0)	1,9
Calculation factor (Y2)	2,9
Category	Spherical Roller Bearings
Inventory	0.0
Manufacturer Name	NSK
Minimum Buy Quantity	N/A



China Lm8uu Bearing Supplier

Weight / Kilogram	82
Product Group	B04311
Internal Clearance	C0-Medium
Mounting Method	Shaft Mount
Rolling Element	Spherical Roller Bearing
Bore Profile	Straight
Cage Material	Steel
Enclosure	Open
Number of Rows of Rollers	Double Row
Relubricatable	Yes
Withdrawal Sleeve	Not Applicable
Inch - Metric	Metric
Long Description	220MM Straight Bore; 400MM Outside Diameter; 144MM Width; C0-Medium Clearance; Shaft Mount; Double Row of Spherical Roller Bearings; Steel Cage Material; Open Enclosure; Relubricatable
Category	Spherical Roller Bearing
UNSPSC	31171510
Harmonized Tariff Code	84823080
Noun	Bearing
Keyword String	Spherical
Manufacturer URL	http://www.nskamericas.com
Manufacturer Item Number	23244CE4
Weight / LBS	82
Width	5.669 Inch 144 Millimeter
Outside Diameter	15.748 Inch 400 Millimeter
Adapter Part Number	Not Applicable Inch Not Applicable Millimeter
Bore	8.661 Inch 220 Millimeter
bore diameter:	220 mm



China Lm8uu Bearing Supplier

outer ring type:	Not Split
outside diameter:	400 mm
internal clearance:	C0
overall width:	144 mm
lubrication hole type:	Oil Grooves And Holes In Outer Ring
bore type:	Straight
cage material:	Brass
Y3	1.9
hidYobi	23244CE4
LangID	1
Y1	1.9
D_	400
Y2	2.9
Macha rpm	0
B_	144
da min	238
hidTable	ecat_NSSPHR
Oil rpm	900
Y0	1.9
mass	80.4
GRS rpm	670
ra	3
TSR rpm	850
C0	3400
DE_	354.551
X0	1
Prod_Type3	SRB_CTB_CB
X1	1
X2	0.67
SIR	58
e	0.35
DA_	43.5



China Lm8uu Bearing Supplier

bomp	23244CE4
Z_	19
ALP2	5
ALP1	13
ALP3	0
D_a max	382
D_a min	337
yobi	23244CE4
ALPHA_	0.228
SDM_	312.18
r	4
KBRG	2322
SBRG	32
DI_	269.81