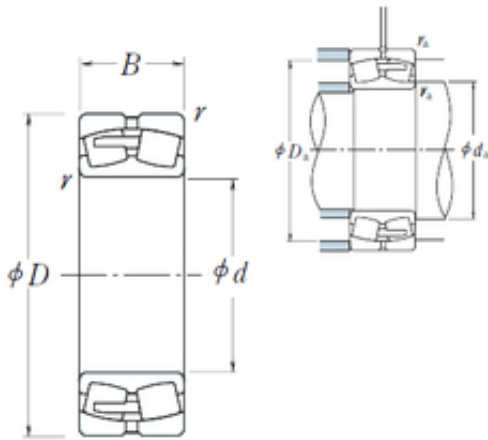




China Lm8uu Bearing Supplier

23060CAE4 NSK Spherical Roller Bearing



Bearing No. 23060CAE4

Size	300x460x118 mm
Bore Diameter	300 mm
Outer Diameter	460 mm
Width	118 mm
d	300 mm
D	460 mm
B	118 mm
C	118 mm
r min.	4 mm
da min.	318 mm
Da min	413 mm
Da max.	442 mm
ra max.	3 mm
Weight	70,5 Kg
Basic dynamic load rating (C)	1920 kN
Basic static load rating (C0)	3700 kN
(Grease) Lubrication Speed	670 r/min
(Oil) Lubrication Speed	850 r/min
Calculation factor (e)	0,24
Calculation factor (Y0)	2,7
Calculation factor (Y2)	4,2

23060CAE4 Bearing 2D drawings and 3D CAD models