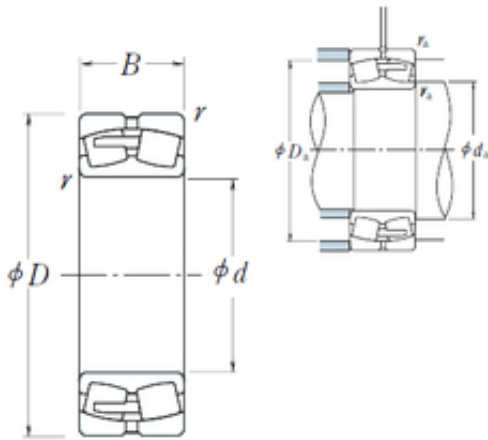




## China Lm8uu Bearing Supplier

### 231/530CAE4 NSK Spherical Roller Bearing



Bearing No. 231/530CAE4

Size	530x870x272 mm
Bore Diameter	530 mm
Outer Diameter	870 mm
Width	272 mm
d	530 mm
D	870 mm
B	272 mm
C	272 mm
r min.	7,5 mm
da min.	566 mm
Da min	758 mm
Da max.	834 mm
ra max.	6 mm
Weight	628 Kg
Basic dynamic load rating (C)	7150 kN
Basic static load rating (C0)	14100 kN
(Grease) Lubrication Speed	260 r/min
(Oil) Lubrication Speed	340 r/min
Calculation factor (e)	0,3
Calculation factor (Y0)	2,2
Calculation factor (Y2)	3,3

231/530CAE4 Bearing 2D drawings and 3D CAD models