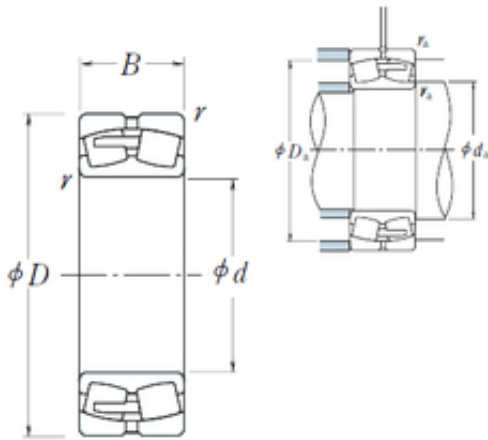




China Lm8uu Bearing Supplier

240/1320CAE4 NSK Spherical Roller Bearing



Bearing No. 240/1320CAE4

Size	1320x1850x530 mm
Bore Diameter	1320 mm
Outer Diameter	1850 mm
Width	530 mm
d	1320 mm
D	1850 mm
B	530 mm
C	530 mm
r min.	12 mm
da min.	1374 mm
Da min	1656 mm
Da max.	1796 mm
ra max.	10 mm
Weight	4400 Kg
Basic dynamic load rating (C)	22600 kN
Basic static load rating (C0)	63500 kN
(Grease) Lubrication Speed	67 r/min
(Oil) Lubrication Speed	85 r/min
Calculation factor (e)	0,26
Calculation factor (Y0)	2,6
Calculation factor (Y2)	3,9

240/1320CAE4 Bearing 2D drawings and 3D CAD models