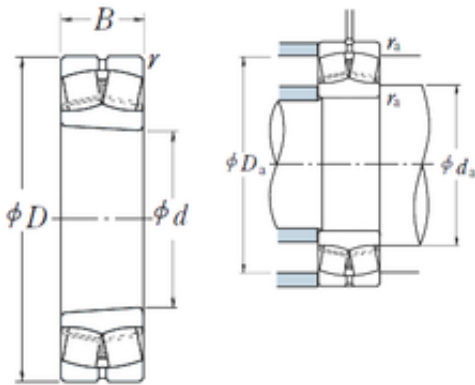




## China Lm8uu Bearing Supplier



Tapered Bore

22320EAKE4 Bearing 2D drawings and 3D CAD models

### 22320EAKE4 NSK Spherical Roller Bearing

Bearing No. 22320EAKE4

Size	100x215x73 mm
Bore Diameter	100 mm
Outer Diameter	215 mm
Width	73 mm
d	100 mm
D	215 mm
B	73 mm
C	73 mm
r min.	3 mm
da min.	114 mm
da max	130 mm
Da min	184 mm
Da max.	201 mm
ra max.	2,5 mm
Weight	12,7 Kg
Basic dynamic load rating (C)	690 kN
Basic static load rating (C0)	930 kN
(Grease) Lubrication Speed	1900 r/min
(Oil) Lubrication Speed	2400 r/min
Calculation factor (e)	0,33
Calculation factor (Y0)	2
Calculation factor (Y2)	3
Category	Spherical Roller Bearings
Inventory	0.0
Manufacturer Name	NSK
Minimum Buy Quantity	N/A



## China Lm8uu Bearing Supplier

Weight / Kilogram	15
Product Group	B04311
Internal Clearance	C0-Medium
Mounting Method	Adapter Mount
Rolling Element	Spherical Roller Bearing
Bore Profile	Tapered
Cage Material	Steel
Enclosure	Open
Number of Rows of Rollers	Double Row
Relubricatable	Yes
Withdrawal Sleeve	AHX2320 (Specify bore)
Inch - Metric	Metric
Long Description	100MM Tapered Bore; 215MM Outside Diameter; 73MM Width; C0-Medium Clearance; Adapter Mount; Double Row of Spherical Roller Bearings; Steel Cage Material; Open Enclosure; Relubricatable; Adapter Part N
Other Features	Order adapter or withdrawal sleeve or nut separately. Others may be available
Category	Spherical Roller Bearing
UNSPSC	31171510
Harmonized Tariff Code	84823080
Noun	Bearing
Keyword String	Spherical
Manufacturer URL	<a href="http://www.nskamericas.com">http://www.nskamericas.com</a>
Manufacturer Item Number	22320EAKE4
Weight / LBS	0
Bore	3.937 Inch   100 Millimeter
Width	2.874 Inch   73 Millimeter



## China Lm8uu Bearing Supplier

Adapter Part Number	SNW120 H2320 HA2320 HE2320 (Specify Bore) Inch   H2320 (Specify bore) Millimeter
Outside Diameter	8.465 Inch   215 Millimeter
bore diameter:	100 mm
maximum rpm:	2600 RPM
outside diameter:	215 mm
operating temperature range:	Maximum of +200 ° C
overall width:	73 mm
cage material:	Steel
bore type:	Tapered 1:12
bearing material:	Steel
outer ring type:	Not Split
cage type:	Roller Guided
internal clearance:	C0
precision rating:	RBEC 1 (ISO Class Normal)
closure type:	Open
finish/coating:	Uncoated
lubrication hole type:	Lubrication Groove & Hole
outer ring width:	73 mm
dynamic load capacity:	860000 N
fillet radius:	3 mm
static load capacity:	930000 N
series:	223