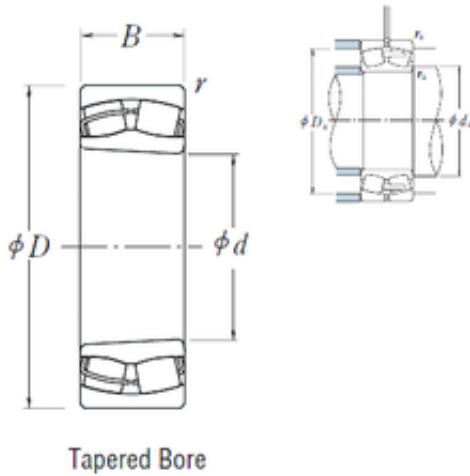




China Lm8uu Bearing Supplier



23122CKE4 Bearing 2D drawings and 3D CAD models

23122CKE4 NSK Spherical Roller Bearing

Bearing No. 23122CKE4

Size	110x180x56 mm
Bore Diameter	110 mm
Outer Diameter	180 mm
Width	56 mm
d	110 mm
D	180 mm
B	56 mm
C	56 mm
r min.	2 mm
da min.	120 mm
da max	127 mm
Da min	158 mm
Da max.	170 mm
ra max.	2 mm
Weight	5,7 Kg
Basic dynamic load rating (C)	385 kN
Basic static load rating (C0)	630 kN
(Grease) Lubrication Speed	1600 r/min
(Oil) Lubrication Speed	2000 r/min
Calculation factor (e)	0,28
Calculation factor (Y0)	2,3
Calculation factor (Y2)	3,5
Category	Spherical Roller Bearings
Inventory	0.0
Manufacturer Name	NSK
Minimum Buy Quantity	N/A



China Lm8uu Bearing Supplier

Weight / Kilogram	5.5
Product Group	B04311
Internal Clearance	C0-Medium
Mounting Method	Adapter Mount
Rolling Element	Spherical Roller Bearing
Bore Profile	Tapered
Cage Material	Steel
Enclosure	Open
Number of Rows of Rollers	Double Row
Relubricatable	Yes
Withdrawal Sleeve	AHX3122 (Specify bore)
Inch - Metric	Metric
Long Description	110MM Tapered Bore; 180MM Outside Diameter; 56MM Width; C0-Medium Clearance; Adapter Mount; Double Row of Spherical Roller Bearings; Steel Cage Material; Open Enclosure; Relubricatable; Adapter Part N
Other Features	Order adapter or withdrawal sleeve or nut separately. Others may be available
Category	Spherical Roller Bearing
UNSPSC	31171510
Harmonized Tariff Code	84823080
Noun	Bearing
Keyword String	Spherical
Manufacturer URL	http://www.nskamericas.com
Manufacturer Item Number	23122CKE4
Weight / LBS	5.8
Outside Diameter	7.087 Inch 180 Millimeter
Width	2.205 Inch 56 Millimeter



China Lm8uu Bearing Supplier

Bore	4.331 Inch 110 Millimeter
Adapter Part Number	SNW3122 H3122 HA3122 HE3122 (Specify Bore) Inch H3122 (Specify bore) Millimeter
bore diameter:	110 mm
outer ring type:	Not Split
outside diameter:	180 mm
internal clearance:	C0
overall width:	56 mm
lubrication hole type:	Oil Grooves And Holes In Outer Ring
bore type:	Tapered 1:12
cage material:	Steel
Y3	2.4
hidYobi	23122CKE4
LangID	1
Y1	2.3
D_	180
Y2	3.5
Macha rpm	0
B_	56
da min	120
hidTable	ecat_NSSPHR
Oil rpm	2000
Y0	2.3
mass	5.7
GRS rpm	1600
ra	2
TSR rpm	3200
C0	630
DE_	163.087
X0	1



China Lm8uu Bearing Supplier

Prod_Type3	SRB_CTB_TB
X1	1
X2	0.67
SIR	21.5
e	0.28
DA_	16.5
bomp	23122CKE4
Z_	24
ALP2	45
ALP1	10
ALP3	0
D_a max	170
D_a min	158
yobi	23122CKE4
ALPHA_	0.188
SDM_	146.876
r	2
KBRG	2322
SBRG	31
DI_	130.666