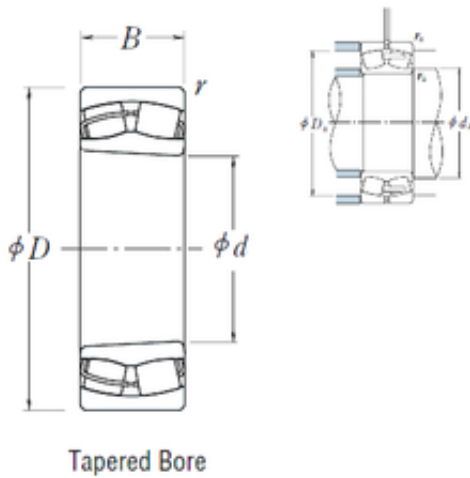




## China Lm8uu Bearing Supplier



### 24122CK30E4 NSK Spherical Roller Bearing

Bearing No. 24122CK30E4

Size	110x180x69 mm
Bore Diameter	110 mm
Outer Diameter	180 mm
Width	69 mm
d	110 mm
D	180 mm
B	69 mm
C	69 mm
r min.	2 mm
da min.	120 mm
da max	123 mm
Da min	154 mm
Da max.	170 mm
ra max.	2 mm
Weight	6,84 Kg
Basic dynamic load rating (C)	460 kN
Basic static load rating (C0)	750 kN
(Grease) Lubrication Speed	1600 r/min
(Oil) Lubrication Speed	2000 r/min
Calculation factor (e)	0,36
Calculation factor (Y0)	1,8
Calculation factor (Y2)	2,8
Category	Spherical Roller Bearings
Inventory	0.0
Manufacturer Name	NSK
Minimum Buy Quantity	N/A

24122CK30E4 Bearing 2D drawings and 3D CAD models



## China Lm8uu Bearing Supplier

Weight / Kilogram	6.7
Product Group	B04311
Internal Clearance	C0-Medium
Mounting Method	Adapter Mount
Rolling Element	Spherical Roller Bearing
Bore Profile	Tapered
Cage Material	Steel
Enclosure	Open
Number of Rows of Rollers	Double Row
Relubricatable	Yes
Withdrawal Sleeve	AH24122 (Specify bore)
Inch - Metric	Metric
Long Description	110MM Tapered Bore; 180MM Outside Diameter; 69MM Width; C0-Medium Clearance; Adapter Mount; Double Row of Spherical Roller Bearings; Steel Cage Material; Open Enclosure; Relubricatable
Other Features	Order adapter or withdrawal sleeve or nut separately. Others may be available
Category	Spherical Roller Bearing
UNSPSC	31171510
Harmonized Tariff Code	84823080
Noun	Bearing
Keyword String	Spherical
Manufacturer URL	<a href="http://www.nskamericas.com">http://www.nskamericas.com</a>
Manufacturer Item Number	24122CK30E4
Weight / LBS	68.6
Width	2.717 Inch   69 Millimeter
Bore	4.331 Inch   110 Millimeter



## China Lm8uu Bearing Supplier

Outside Diameter	7.087 Inch   180 Millimeter
Y3	1.9
hidYobi	24122CK30E4
LangID	1
Y1	1.8
D_	180
Y2	2.8
Macha rpm	0
B_	69
da min	120
hidTable	ecat_NSSPHR
Oil rpm	2000
Y0	1.8
mass	6.84
GRS rpm	1600
ra	2
TSR rpm	2200
C0	750
DE_	162.442
X0	1
Prod_Type3	SRB_CTB_TB
X1	1
X2	0.67
SIR	27.5
e	0.36
DA_	17.7
bomp	24122CK30E4
Z_	21
ALP2	25
ALP1	13
ALP3	0
D_a max	170



## China Lm8uu Bearing Supplier

D_a min	154
yobi	24122CK30E4
ALPHA_	0.234
SDM_	145.225
r	2
KBRG	2322
SBRG	41
DI_	128.008