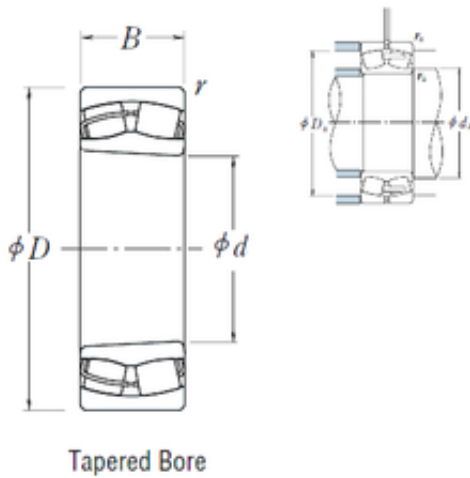




China Lm8uu Bearing Supplier



23222CKE4 NSK Spherical Roller Bearing

Bearing No. 23222CKE4

Size	110x200x69.8 mm
Bore Diameter	110 mm
Outer Diameter	200 mm
Width	69,8 mm
d	110 mm
D	200 mm
B	69,8 mm
C	69,8 mm
r min.	2,1 mm
da min.	122 mm
da max	130 mm
Da min	170 mm
Da max.	188 mm
ra max.	2 mm
Weight	9,54 Kg
Basic dynamic load rating (C)	515 kN
Basic static load rating (C0)	760 kN
(Grease) Lubrication Speed	1500 r/min
(Oil) Lubrication Speed	1900 r/min
Calculation factor (e)	0,34
Calculation factor (Y0)	1,9
Calculation factor (Y2)	3
Category	Spherical Roller Bearings
Inventory	0.0
Manufacturer Name	NSK
Minimum Buy Quantity	N/A

23222CKE4 Bearing 2D drawings and 3D CAD models



China Lm8uu Bearing Supplier

Weight / Kilogram	11.5
Product Group	B04311
Internal Clearance	C0-Medium
Mounting Method	Adapter Mount
Rolling Element	Spherical Roller Bearing
Bore Profile	Tapered
Cage Material	Steel
Enclosure	Open
Number of Rows of Rollers	Double Row
Relubricatable	Yes
Withdrawal Sleeve	AH3222A (Specify bore)
Inch - Metric	Metric
Long Description	110MM Tapered Bore; 200MM Outside Diameter; 69MM Width; C0-Medium Clearance; Adapter Mount; Double Row of Spherical Roller Bearings; Steel Cage Material; Open Enclosure; Relubricatable; Adapter Part N
Other Features	Order adapter or withdrawal sleeve or nut separately. Others may be available
Category	Spherical Roller Bearing
UNSPSC	31171510
Harmonized Tariff Code	84823080
Noun	Bearing
Keyword String	Spherical
Manufacturer URL	http://www.nskamericas.com
Manufacturer Item Number	23222CKE4
Weight / LBS	9.4
Width	2.748 Inch 69.799 Millimeter



China Lm8uu Bearing Supplier

Outside Diameter	7.874 Inch 200 Millimeter
Bore	4.331 Inch 110 Millimeter
Adapter Part Number	SNW122 H2322 HE2322 (Specify Bore) Inch H2322 (Specify bore) Millimeter
Y3	2
hidYobi	23222CKE4
LangID	1
Y1	1.9
D_	200
Y2	3
Macha rpm	0
B_	69.8
da min	122
hidTable	ecat_NSSPHR
Oil rpm	1900
Y0	1.9
mass	9.54
GRS rpm	1500
ra	2
TSR rpm	2200
C0	760
DE_	177.501
X0	1
Prod_Type3	SRB_CTB_TB
X1	1
X2	0.67
SIR	27
e	0.34
DA_	22
bomp	23222CKE4
Z_	18
ALP2	46



China Lm8uu Bearing Supplier

ALP1	12
ALP3	0
D_a max	188
D_a min	170
yobi	23222CKE4
ALPHA_	0.223
SDM_	156.045
r	2.1
KBRG	2322
SBRG	32
DI_	134.588