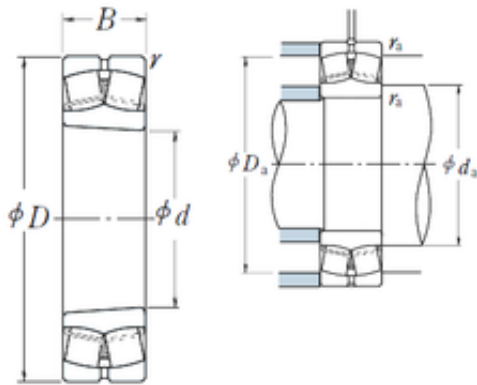




China Lm8uu Bearing Supplier



Tapered Bore

22322EAKE4 NSK Spherical Roller Bearing

Bearing No. 22322EAKE4

| | |
|-------------------------------|---------------------------|
| Size | 110x240x80 mm |
| Bore Diameter | 110 mm |
| Outer Diameter | 240 mm |
| Width | 80 mm |
| d | 110 mm |
| D | 240 mm |
| B | 80 mm |
| C | 80 mm |
| r min. | 3 mm |
| da min. | 124 mm |
| da max | 145 mm |
| Da min | 206 mm |
| Da max. | 226 mm |
| ra max. | 2,5 mm |
| Weight | 17,6 Kg |
| Basic dynamic load rating (C) | 825 kN |
| Basic static load rating (C0) | 1120 kN |
| (Grease) Lubrication Speed | 1700 r/min |
| (Oil) Lubrication Speed | 2200 r/min |
| Calculation factor (e) | 0,33 |
| Calculation factor (Y0) | 2 |
| Calculation factor (Y2) | 3,1 |
| Category | Spherical Roller Bearings |
| Inventory | 0.0 |
| Manufacturer Name | NSK |
| Minimum Buy Quantity | N/A |

22322EAKE4 Bearing 2D drawings and 3D CAD models



China Lm8uu Bearing Supplier

| | |
|---------------------------|--|
| Weight / Kilogram | 18.4 |
| Product Group | B04311 |
| Internal Clearance | C0-Medium |
| Mounting Method | Adapter Mount |
| Rolling Element | Spherical Roller Bearing |
| Bore Profile | Tapered |
| Cage Material | Steel |
| Enclosure | Open |
| Number of Rows of Rollers | Double Row |
| Relubricatable | Yes |
| Withdrawal Sleeve | AHX2322 (Specify bore) |
| Inch - Metric | Metric |
| Long Description | 110MM Tapered Bore; 240MM Outside Diameter; 80MM Width; C0-Medium Clearance; Adapter Mount; Double Row of Spherical Roller Bearings; Steel Cage Material; Open Enclosure; Relubricatable; Adapter Part N |
| Other Features | Order adapter or withdrawal sleeve or nut separately. Others may be available |
| Category | Spherical Roller Bearing |
| UNSPSC | 31171510 |
| Harmonized Tariff Code | 84823080 |
| Noun | Bearing |
| Keyword String | Spherical |
| Manufacturer URL | http://www.nskamericas.com |
| Manufacturer Item Number | 22322EAKE4 |
| Weight / LBS | 18.4 |
| Outside Diameter | 9.449 Inch 240 Millimeter |
| Bore | 4.331 Inch 110 Millimeter |



China Lm8uu Bearing Supplier

| | |
|------------------------------|---|
| Width | 3.15 Inch 80 Millimeter |
| Adapter Part Number | SNW122 H2322 HE2322 (Specify Bore) Inch H2322 (Specify bore) Millimeter |
| bore diameter: | 110 mm |
| maximum rpm: | 2400 RPM |
| outside diameter: | 240 mm |
| operating temperature range: | Maximum of +200 ° C |
| overall width: | 80 mm |
| cage material: | Steel |
| bore type: | Tapered 1:12 |
| bearing material: | Steel |
| outer ring type: | Not Split |
| cage type: | Roller Guided |
| internal clearance: | C0 |
| precision rating: | RBEC 1 (ISO Class Normal) |
| closure type: | Open |
| finish/coating: | Uncoated |
| lubrication hole type: | Lubrication Groove & Hole |
| outer ring width: | 80 mm |
| dynamic load capacity: | 1030000 N |
| fillet radius: | 3 mm |
| static load capacity: | 1120000 N |
| series: | 223 |