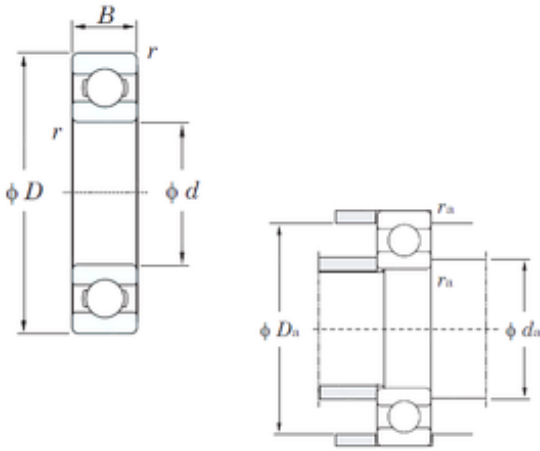




China Lm8uu Bearing Supplier



6206 Bearing 2D drawings and 3D CAD models

NSK NTN Koyo Precision High Speed 6206
6207 6208 6210 Zz Zv1 Zv2 Zv3 Bicycle Motor
Deep Groove Ball Bearing 6201 6202 6203 6204
6205 2RS Rz Zz

Bearing No. 6206

Size	30x62x16 mm
Bore Diameter	30 mm
Outer Diameter	62 mm
Width	16 mm
d	30 mm
D	62 mm
B	16 mm
C	16 mm
r min.	1 mm
da min.	35 mm
Da max.	57 mm
ra max.	1 mm
Weight	0,199 Kg
Basic dynamic load rating (C)	19,5 kN
Basic static load rating (C0)	11,3 kN
(Grease) Lubrication Speed	11000 r/min
(Oil) Lubrication Speed	13000 r/min
Category	Single Row Ball Bearings
Inventory	2.0
Manufacturer Name	KOYO
Minimum Buy Quantity	N/A
Weight / Kilogram	0.217
EAN	0605790060847



China Lm8uu Bearing Supplier

Product Group	B00308
Enclosure	Open
Precision Class	ABEC 1 ISO P0
Maximum Capacity / Filling Slot	No
Rolling Element	Ball Bearing
Snap Ring	No
Internal Special Features	No
Cage Material	Steel
Internal Clearance	C0-Medium
Inch - Metric	Metric
Long Description	30MM Bore; 62MM Outside Diameter; 16MM Outer Race Diameter; Open; Ball Bearing; ABEC 1 ISO P0; No Filling Slot; No Snap Ring; No Internal Special Features
Category	Single Row Ball Bearing
UNSPSC	31171504
Harmonized Tariff Code	8482.10.50.68
Noun	Bearing
Keyword String	Ball
Manufacturer URL	http://www.koyousa.com
Manufacturer Item Number	6206
Weight / LBS	0.477
Outside Diameter	2.441 Inch 62 Millimeter
Bore	1.181 Inch 30 Millimeter
Outer Race Width	0.63 Inch 16 Millimeter
Bearing No.	6206
r(min)	1
Cr	24.3
C0r	11.3
Cu	0.800



China Lm8uu Bearing Supplier

f0	13.9
Grease lub.	11000
Oil lub.	13000
da(min)	35
Da(max)	57
ra(max)	1
(Refer.) Mass(kg)	0.199